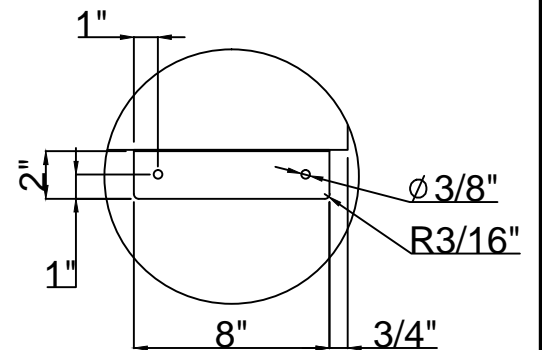
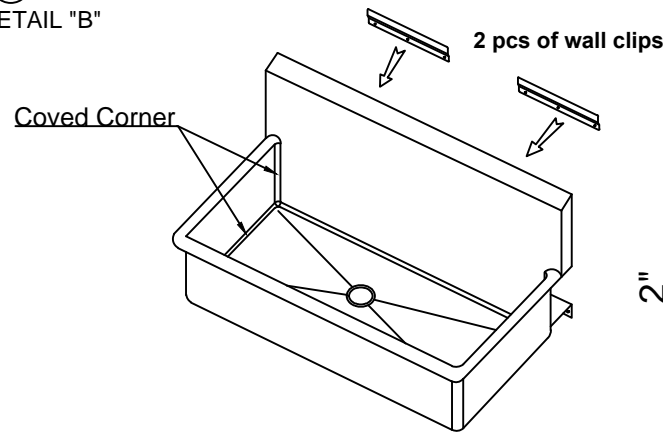
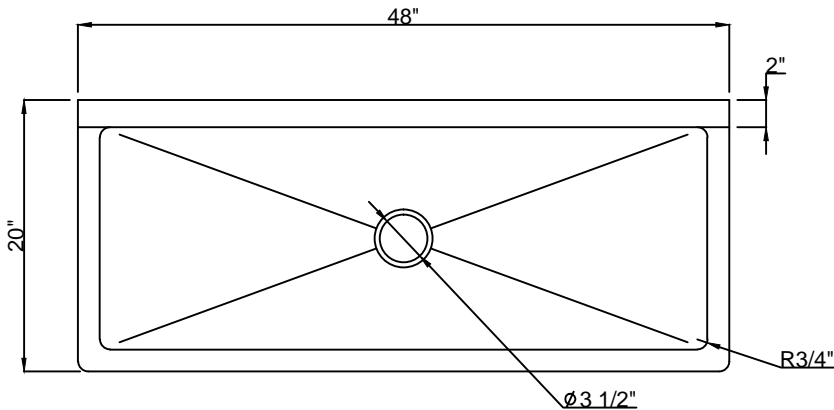
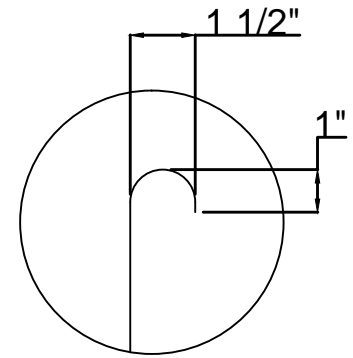


● 16GA. 304 Stainless steel Construction.



DRAWN FOR :	MAT.	TOP : 16GA. 304S/S.	DATE	REVISIONS
REF. NO :	REQ'D/ITEM :	BASE :		
ITEM NAME : Trough Sink to be Coved Corner	DATE : Nov/ 29 / 2021			
PROD. NO. : TA-TS2048NHC-KIT	BY :			
SCALE: 1/2" =1'-0"	CHECKED BY :			

Tarrison  
Products Ltd.